

NEW & IMPROVED

THE FRAME THAT EXTENDS IN ANY DIRECTION

Multi Frame & Multi Frame XL



Multi Frame and Multi Frame XL can be extended in any direction using the Extension kits, providing the flexibility to mix and match Multi Frame and Multi Frame XL to create the frame size and shape configuration to suit the install.

KEY FEATURES

- 305mm Feet.
- 1m x 1.2m, 1.5m x 1.2m multiples.
- Mix and match any Multi Frame and Multi Frame XL of the same height.
- Extend from any side.
- Suits a wide variety of units.
- Adjustable leg assemblies.
- Easy to assemble - cross bars simply position onto the end bars.
- Supplied boxed with clamp kits.

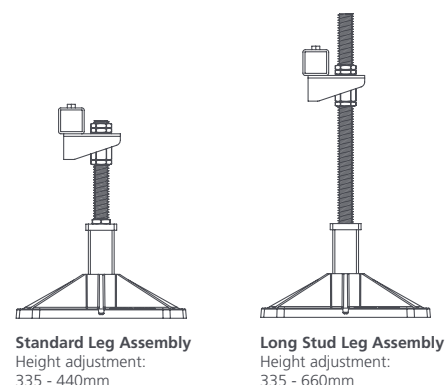
KIT INCLUDES

Multi Frame	Frame	Ext.
305mm foot & adhered mat	× 4	× 2
1m End bar	× 2	× 2
1.2m Cross bar	× 2	× 2
Unit clamp kit (4 pack)	× 2	× 2
Connector	-	× 2
Multi Frame XL	Frame	Ext.
305mm foot & adhered mat	× 4	× 2
1.5m End bar	× 2	× 2
1.2m Cross bar	× 3	× 3
Unit clamp kit (4 pack)	× 2	× 2
Connector	-	× 2

APPLICATION



Description	Part no.	Length (mm)	Width (mm)	Height (mm)	Weight (Kg)	Max. Load (Kg)
Multi Frame	B9720	1000	1200	335 - 440	36	500
Extension Kit	B9721	1000	1200	335 - 440	26	500
Multi Frame Long Stud	B9720/1	1000	1200	335 - 660	40	500
Extension Kit Long Stud	B9721/1	1000	1200	335 - 660	28	500
Multi Frame XL	B9731	1500	1200	335 - 440	43	500
Extension XL Kit	B9732	1500	1200	335 - 440	33	500
Multi Frame XL Long Stud	B9731/1	1500	1200	335 - 660	45	500
Extension XL Kit Long Stud	B9732/1	1500	1200	335 - 660	35	500



Information correct at time of going to press.